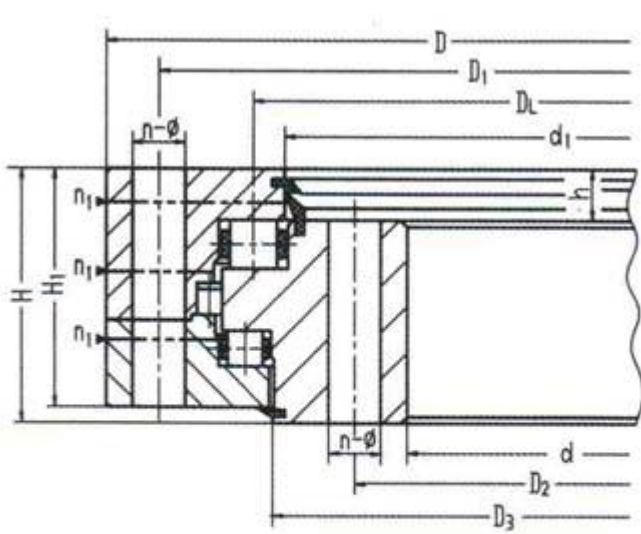


Three-row rolling type slewing bearing(13 series)

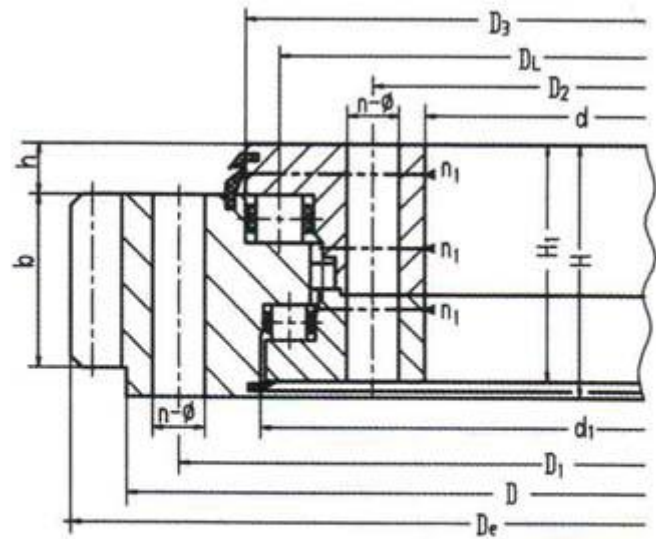
CHARACTERISTIC OF STRUCTURE, PERFORMANCE AND APPLICATION

Three-row roller slewing bearing has three seat-rings, which separate the upper, lower and radial races, via which the load of each row of the rollers may be specified. It may bear different loads simultaneously and its load capacity is the largest one among the four models.

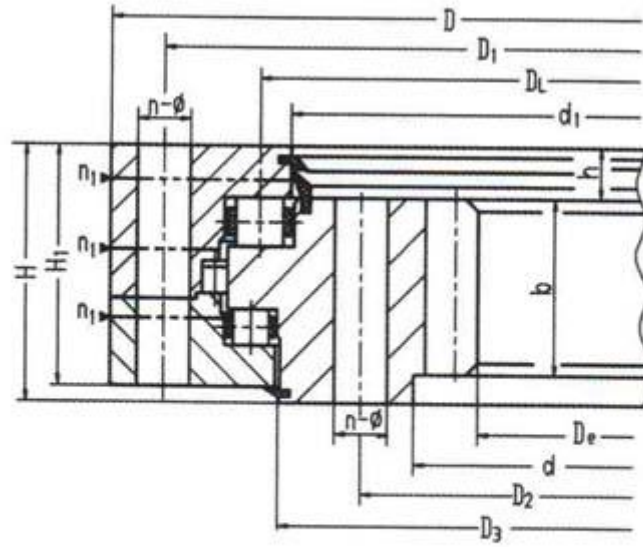
Thanks to the large size of its axle and radius, it is sturdy and especially suitable for heavy-duty machines which require large working radius, such as bucket-wheel excavators, wheeled cranes, ship cranes, ladle turret, heavy-duty mobile cranes etc.



130



131, 132



133,134

Type	Configuration		Mounting Size							Structural size			Gear Data		Ext Gear		Int Gear				
	Ext Toothless	Int Toothless	D	d	H	D1	D2	n	f	M	n1	H1	h	b	x	m	De	Z	De	Z	
SS									0	1,2,3											
									f	f	T										
.500	131.25.500	133.25.500	634	366	148	598	402	24	18	M16	32	4	138	32	80	+0.5	5	664	130	337	6
	132.25.500	134.25.500															6	664.8	108	338.4	5
.560	131.25.560	133.25.560	694	426	148	658	462	24	18	M16	32	4	138	32	80	+0.5	5	724	142	397	8
	132.25.560	134.25.560															6	724.8	118	398.4	6
.630	131.25.630	133.25.630	764	496	148	728	532	28	18	M16	32	4	138	32	80	+0.5	6	808.8	132	458.4	7
	132.25.630	134.25.630															8	806.4	98	459.2	5
.710	131.25.710	133.25.710	844	576	148	808	612	28	18	M16	32	4	138	32	80	+0.5	6	886.8	145	536.4	9
	132.25.710	134.25.710															8	886.4	108	539.2	6
.800	131.32.800	133.32.800	964	636	182	920	680	36	22	M20	40	4	172	40	120	+0.5	8	1006.4	123	595.2	7
	132.32.800	134.32.800															10	1008	98	594	6
.900	131.32.900	133.32.900	1064	736	182	1020	780	36	22	M20	40	4	172	40	120	+0.5	8	1102.4	135	691.2	8
	132.32.900	134.32.900															10	1108	108	694	7
.1000	131.32.1000	133.32.1000	1164	836	182	1120	880	40	22	M20	40	5	172	40	120	+0.5	10	1218	119	784	7
	132.32.1000	134.32.1000															12	1221.6	99	784.8	6
.1120	131.32.1120	133.32.1120	1284	956	182	1240	1000	40	22	M20	40	5	172	40	120	+0.5	10	1338	131	904	9
	132.32.1120	134.32.1120															12	1341.6	109	904.8	7
.1250	131.40.1250	133.40.1250	1445	1055	220	1393	1107	45	26	M24	48	5	210	50	150	+0.5	12	1509.6	123	988.8	8
	132.40.1250	134.40.1250															14	1509.2	105	985.6	7
.1400	131.40.1400	133.40.1400	1595	1205	220	1543	1257	45	26	M24	48	5	210	50	150	+0.5	12	1665.6	136	1144.8	9
	132.40.1400	134.40.1400															14	1663.2	116	1139.6	8
.1600	131.40.1600	133.40.1600	1795	1405	220	1743	1457	48	26	M24	48	6	210	50	150	+0.5	14	1873.2	131	1335.6	9
	132.40.1600	134.40.1600															16	1868.8	114	1334.4	8
.1800	131.40.1800	133.40.1800	1995	1605	220	1943	1657	48	26	M24	48	6	210	50	150	+0.5	14	2069.2	145	1531.6	1

	132.40.1800	134.40.1800															16	2076.8	127	1526.4	9
.2000	131.45.2000	133.45.2000	2221	1779	231	2155	1845	60	33	M30	60	6	219	54	160	+0.5	16	2300.8	141	1702.4	1
	132.45.2000	134.45.2000															18	2300.4	125	1699.2	9
.2240	131.45.2240	133.45.2240	2461	2019	231	2395	2085	60	33	M30	60	6	219	54	160	+0.5	16	2556.8	157	1926.4	1
	132.45.2240	134.45.2240															18	2552.4	139	1933.2	1
.2500	131.45.2500	133.45.2500	2721	2279	231	2655	2345	72	33	M30	60	8	219	54	160	+0.5	18	2822.4	154	2185.2	1
	132.45.2500	134.45.2500															20	2816	138	2188	1
.2800	131.45.2800	133.45.2800	3021	2579	231	2955	2645	72	33	M30	60	8	219	54	160	+0.5	18	3110.4	170	2491.2	1
	132.45.2800	134.45.2800															20	3116	153	2488	1

www.slewing-bearing.net Tel: (+86)516-89238888 Email: support@slewing-bearing.net