

Double-row spherical type slewing bearing(02 series)

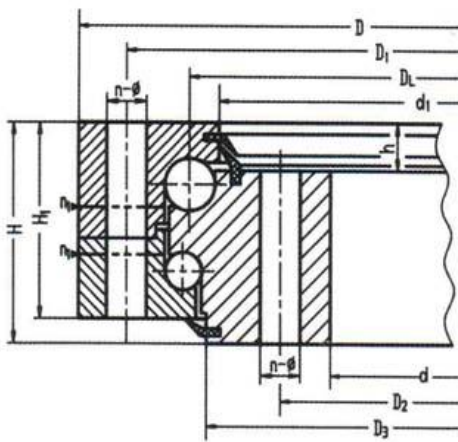
CHARACTERISTIC OF STRUCTURE, PERFORMANCE AND APPLICATION

The double-row Ball slewing bearing has three seat-rings. The steel balls and the spacers may be directly arranged into the upper and lower races. Two rows of steel balls with different diameters are fitted according to the force form.

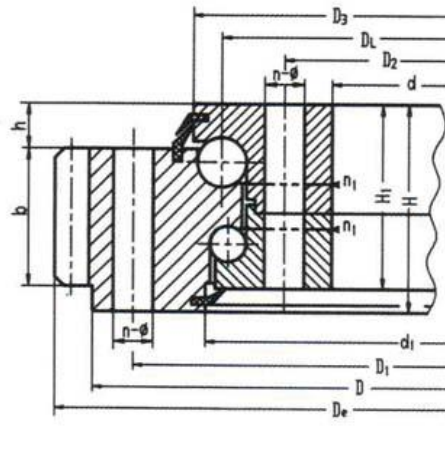
Such open mode fitting features extraordinary convenience. The load angles of both upper and lower races are 90° , which enable the bearing to bear large axial force and the tipping moment.

When the radial force is larger than 1/10 of the axial force the races should be newly designed.

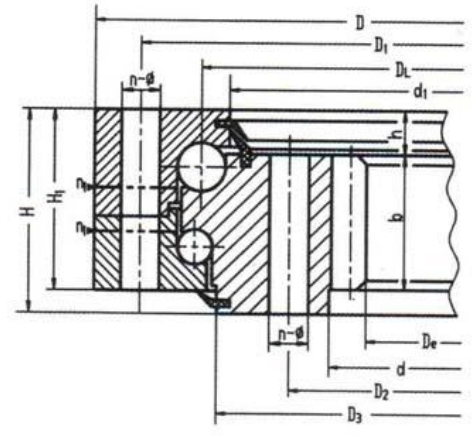
As the axle and the dimension of the double-row ball slewing bearing are rather large, the bearing construction is sturdy, hence it is especially suitable for tower cranes which require working radius over medium range, mobile cranes and loading and unloading machines.



020



021, 022



023, 024

Type	Configuration		Mounting size											Structural		Gear		Ext Gear		Int Gear	
	Ext Toothless D _L mm	Int Toothless D _L mm	D	d	H	D ₁ mm	D ₂ mm	d _{n1} mm	d _{m1} mm	L mm	n	n ₁	H ₁	h	b mm	m mm	d _a mm	Z	d _a mm		
500	021.25.500	023.25.500	616	384	106	580	420	18	M16		20	4	96	26	60	5	644	126	357		
	022.25.500	024.25.500														6	646.8	105	350.4		
560	021.25.560	023.25.560	676	444	106	640	480	18	M16		20	4	96	26	60	5	704	138	417		
	022.25.560	024.25.560														6	706.8	115	410.4		
630	021.25.630	023.25.630	746	514	106	710	550	18	M16		24	4	96	26	60	6	790.8	129	482.4		
	022.25.630	024.25.630														8	790.4	96	475.2		
710	021.25.710	023.25.710	826	594	106	790	630	18	M16		24	4	96	26	60	6	862.8	141	560.4		
	022.25.710	024.25.710														8	862.4	105	555.2		
800	021.30.800	023.30.800	942	658	124	898	702	22	M20		30	6	114	29	80	8	982.4	120	619.2		
	022.30.800	024.30.800														10	988	96	614		
900	021.30.900	023.30.900	1042	758	124	998	802	22	M20		30	6	114	29	80	8	1086.4	133	715.2		
	022.30.900	024.30.900														10	1088	106	714		
1000	021.30.1000	023.30.1000	1142	858	124	1098	902	22	M20		36	6	114	29	80	10	1198	117	814		
	022.30.1000	024.30.1000														12	1197.6	97	796.8		

