

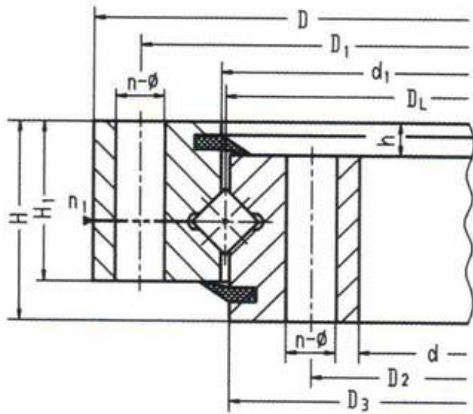
Crossover rolling type(11 series)

CHARACTERISTIC OF STRUCTURE, PERFORMANCE AND APPLICATION

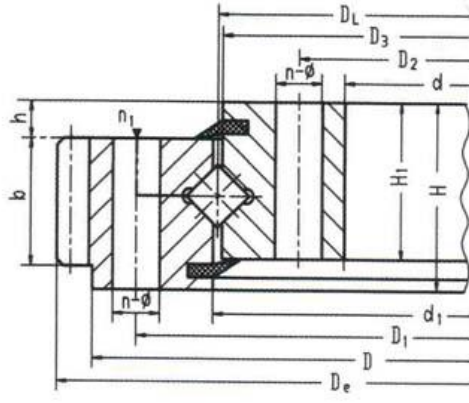
The single-row crossed roller slewing ring is composed of two seat-rings. It features compact in design, light in weight, high precision and small fitting clearance.

As the rollers are 1:1 cross arranged, it is suitable for high precision mounting and capable to bear axial force, resultant moment and considerable large radial force.

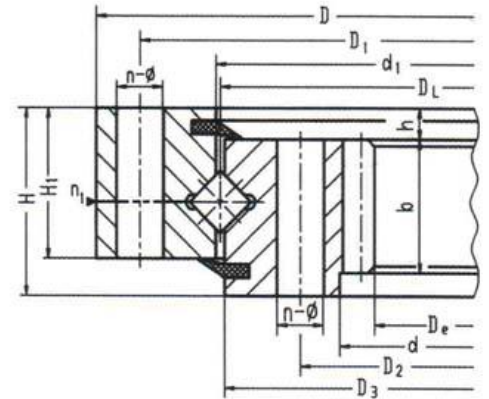
The single-row crossed roller slewing rings are widely used for hoisting, transporting, engineering machines as well as for military products.



110



111,112



113,114

		Configuration			Mounting Size				structural size				Gear Data			Ext Gear		Int gear		
Series	Int Toothless DL mm	D mm	d mm	H mm	D1 mm	D2 mm	n	F mm	n1	D3 mm	d1 mm	H1 mm	h	b mm	x	m	De mm	Z	De mm	Z
00	113.25.500	602	398	75	566	434	20	18	4	498	502	65	10	60	+0.5	5	629	123	367	74
5.500	114.25.500															6	628.8	102	368.4	62
5.560	113.25.560	662	458	75	626	494	20	18	4	558	562	65	10	60	+0.5	5	689	135	427	86
5.560	114.25.560															6	688.8	112	428.4	72
5.630	113.25.630	732	528	75	696	564	24	18	4	628	632	65	10	60	+0.5	6	772.8	126	494.4	83
5.630	114.25.630															8	774.4	94	491.2	62
5.710	113.25.710	812	608	75	776	644	24	18	4	708	712	65	10	60	+0.5	6	850.8	139	572.4	96
5.710	114.25.710															8	854.4	104	571.2	72
8.800	113.28.800	922	678	82	878	722	30	22	6	798	802	72	10	65	+0.5	8	966.4	118	635.2	80
8.800	114.28.800															10	968	94	634	64
8.900	113.28.900	1022	778	82	978	822	30	22	6	898	902	72	10	65	+0.5	8	1062.4	130	739.2	93
8.900	114.28.900															10	1068	104	734	74
8.1000	113.28.1000	1122	878	82	1078	922	36	22	6	998	1002	72	10	65	+0.5	10	1118	116	824	83
8.1000	114.28.1000															12	1185.6	96	820.8	69
8.1120	113.28.1120	1242	988	82	1198	1042	36	22	6	1118	1122	72	10	65	+0.5	10	1298	127	944	95
8.1120	114.28.1120															12	1305.6	106	940.8	79

2.1250	13.32.1250	1390	1110	91	1337	1163	40	26	5	1248	1252	81	10	75	+0.5	12	1449.6	118	1048.8	88
2.1250	114.32.1250															14	1453.2	101	1041.6	75
2.1400	113.32.1400	1540	1260	91	1487	1313	40	26	5	1398	1402	81	10	75	+0.5	12	1605.6	131	1192.8	100
2.1400	114.32.1400															14	1607.2	112	1195.6	86
2.1600	113.32.1600	1740	1460	91	1678	1513	45	26	5	1598	1602	81	10	75	+0.5	14	1817.2	127	1391.6	100
2.1600	114.32.1600															16	1820.8	111	1382.4	87
2.1800	113.32.1800	1940	1660	91	1887	1713	45	26	5	1798	1802	81	10	75	+0.5	14	2013.2	141	1573.6	113
2.1800	114.32.1800															16	2012.8	123	1574.4	99
0.2000	113.40.2000	2178	1825	112	2110	1891	48	33	8	1997	2003	100	12	90	+0.5	16	2268.8	139	1734.4	109
0.2000	114.40.2000															18	2264.4	123	1735.2	97
0.2240	113.40.2240	2418	2065	112	2350	2131	48	33	8	2237	2243	100	12	90	+0.5	16	2492.8	153	1990.4	125
0.2240	114.40.2240															18	2498.4	136	1987.2	111
0.2500	113.40.2500	2678	2325	112	2610	2391	56	33	8	2497	2503	100	12	90	+0.5	18	2768.4	151	2239.2	125
0.2500	114.40.2500															20	2776	136	2228	112
0.2800	113.40.2800	2978	2625	112	2910	2691	56	33	8	2797	2803	100	12	90	+0.5	18	3074.4	168	2527.2	141
0.2800	114.40.2800															20	3076	151	2528	127

www.slewing-bearing.net Tel: (+86)516-89238888 Email: support@slewing-bearing.net